

*Seeking the brightest from the US...  
offering the best of British*



**Rachael Parsons - University of Edinburgh**

**Rory Robinson - King's College London**

**Alice McCallum - University of Oxford**



# Introduction

Presentation (approx. 40 mins)

- Why study in the UK? Applications and Admissions
- King's in 5 minutes
- Oxford in 5 minutes
- Edinburgh in 5 minutes

Q&A

*A copy of presentation and feedback survey will be emailed after today's session*





# Why study in the UK?

- Approximately 332,000+ US students studied abroad (2018 NAFSA figures), 54% go to Europe
- The UK is the top destination with 22,995 US students and 8280 Canadian students in degree programmes (2019 HESA)
- KCL (1,265), Oxford (1,975) and Edinburgh (2,515) are top UK destinations for US students (2019 HESA)
- Also top destinations for Canadian students - KCL (200), Oxford (445) and Edinburgh (490) (2019 HESA)





# Why study in the UK?

- An international education
  - Students and staff from around the world
  - Internationalised curriculum
  - World-wide partnerships
  - Study Abroad
  - Travel opportunities
  - Alumni at home and abroad
  - Globally recognised degrees
  - Safe and secure academic environment





# Why study in the UK?

- Academic excellence
  - Citations
  - Public Higher Education
  - Undergraduate, Graduate and Research degrees
  - Teaching, learning, assessment
  - Independence
- Double majors / Joint degrees
- Major & Minor / Combined degrees



# Why study in the UK?

## ○ Degree structure

	England	Scotland	USA (Liberal Arts)
Apply to	“Major”	Possible “Major”	Core curriculum
Year 1	Degree	“Major” & 2-4 subjects	Core curriculum
Year 2	Degree	“Major” & 2-4 subjects Declare “Major”	Declare Major
Year 3	Dissertation Honours Year Degree award: BA	Specialisation or Study Abroad	Major
Year 4 / exit qualification	Research project Degree awarded: MSc	Dissertation/ Research project Degree award: MA/BSc	Major Degree award: BA



# Why study in the UK?

- Degrees in the professions
  - Medicine (5/6 years)
  - Dentistry (5 years)
  - Veterinary Medicine (5/6 years)
  - Architecture
  - Law
  - Engineering
- International Accreditation





# Why study in the UK?

- Graduate degrees: Taught Masters
  - 1 year full-time
  - UK system synchronises
  - MSc / LLM / MEd / MBA
  - 9 months taught plus 3 months research
- Graduate degrees: Masters by Research
  - 1 year full-time
  - MRes / MPhil
  - 90% research





# Why study in the UK?

- Value for money
  - Price comparison
  - High completion rates
  - Favourable currency exchange rates
  - FAFSA Approved
  
- Employment
  - Part-time during studies (on or off campus)
  - Vacation



# How to apply?

- Applications and admissions are different!
  - The UK cycle: mid-high school & final exams
  - Conditional offer-making
  - All applications through The University and College Admissions Service (UCAS) - 4 or 5 choices
  - Firm and Insurance acceptance
  - Publicly funded
  - Competitive
  - Data Protection



# How to apply?

## o Important:

- Academic Entry Requirements
  - Please enter both your pending and achieved test scores when completing the Qualifications section in your UCAS application
- Personal statement
- Academic reference
- Career exploration and voluntary work

## o Not important:

- Sporting prowess
- Relations
- Donations





**15 October**

Deadline for Universities of Oxford and Cambridge and Medicine, Dentistry and Veterinary Medicine

**15 January**

UK/EU Application Deadline

**April-June**

Financial arrangements



**30 June**

Final UCAS deadline for Int. applications

**August/September**

UCAS applications open

**31 October**

Recommended UCAS application deadline between September and October for Edinburgh

**February/March**

Accommodation application opens for Edinburgh

**Mid-June onwards**

Visa application begins

[www.ucas.com](http://www.ucas.com)

UCAS







# Welcome to King's

Rory Robinson, Senior International Officer - Americas

# King's today



Over 33,700 students



16,000 international students



From over 150 countries



1,465 from Canada & United States



# King's today



31

in the world

7

in the UK

3

in London

*(QS World University Rankings 2021)*



# Our London location



**KING'S STRAND CAMPUS**

**KING'S BUSH HOUSE**

**KING'S MAUGHAN LIBRARY**

**ROYAL COURTS OF JUSTICE**

**BIG BEN AND THE HOUSES OF PARLIAMENT**

**LONDON EYE**

**SOUTH BANK ARTS COMPLEX**

**ST PAUL'S CATHEDRAL**

**KING'S WATERLOO CAMPUS**

**WATERLOO STATION**

**ST THOMAS' HOSPITAL**

**CITY OF LONDON FINANCIAL DISTRICT**

**KING'S ST THOMAS' CAMPUS**

**THE SHARD**

**KING'S GUY'S CAMPUS**

**GUY'S HOSPITAL**



**KING'S DENMARK HILL CAMPUS, KING'S COLLEGE HOSPITAL AND SOUTH LONDON AND MAUDSLEY HOSPITAL**



# Student life in London

Canadian  
American  
Society

Societies



Activity groups



Sports clubs



Explore London & Europe



Home away from home



Museums & galleries

# Never know who you'll bump in to on campus



Queen Elizabeth II



Kate, Duchess of Cambridge



Meghan, Duchess of Sussex



Prince Harry, Duke of Sussex



# What can you study?

Science, Technology,  
Engineering & Math

Health Subjects

Politics, Economics  
& Society

Management,  
Finance & Law

Arts &  
Humanities

- Biomedical Engineering
- Electrical Engineering
- General Engineering
- Chemistry
- Computer Science
- Mathematics
- Physics

- Dentistry
- Medicine
- Nursing
- Midwifery
- Psychology
- Pharmacy
- Biomedical Science
- Neuroscience
- Nutrition

- International Relations
- International Development
- Politics
- War Studies
- Political Economy
- Social Science
- Geography

- Business Management
- Economics & Management
- International Management
- Law
- Accounting & Finance

- Culture, Media & Creative Industries
- Liberal Arts
- History
- Classics
- Languages
- Literature
- Philosophy

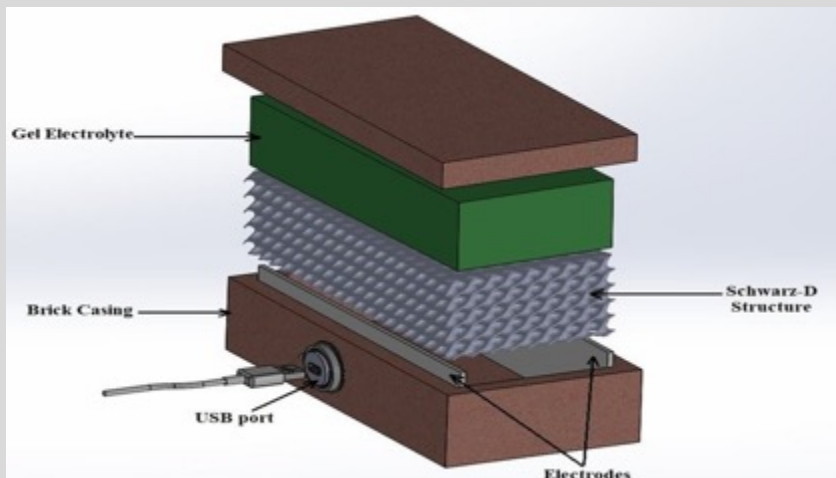
# World changing ideas



The possibilities of 5G technology, from drones in disaster zones to robots



Liver transplants could be redundant with discovery of new liver cell



Thermogalvanic brick



Fingerprint detection on ivory



# Where are our North American graduates now?



Top 10 employers:  
Google, Apple, U.S. Department of State, US Army, Microsoft, Deloitte, United Nations, JP Morgan, Goldman Sachs, Facebook

# Fees and funding

A photograph of three students walking across a cobblestone courtyard. In the background is a large, classical-style building with a prominent green dome and a statue on horseback. The scene is captured in the late afternoon or early morning, with long shadows and a clear sky.

Our tuition fees vary by course, please see our course pages online for exact amount;

Standard fees: £19,800

Business/engineering/science:  
£26,700

Medicine: £38,850

Students can use their FAFSA Loan to study with us - to do this they can apply using King's College London's school code: G09085



# Entry requirements

## USA

3 AP subjects at 554 - 555 or  
3 SAT-S at 650 - 720

plus

Either SAT-R at 1320-1380 with a minimum of  
600 in Maths and 620 in Evidence-Based  
Reading and Writing in one sitting

OR ACT 27-29

OR 5 AP's

(\*Specific subject requirements might apply.  
AP Capstone Research and Seminar not  
accepted\*)

## International Baccalaureate

35 points overall, 3 Higher Levels: 6,6,5 – 7,6,6

Subject requirements may apply

BUSH HOUSE  
LECTURE THEATRE

1





# Entry requirements

## Canada

### Alberta High School Diploma

Overall average of 80% - 90% in at least five grade 12 academic 30 or 31 courses

### British Columbia High School Diploma

Overall average of 80% - 90% in at least five academic grade 12 subjects

### Ontario Secondary School Diploma

Overall average of 80% - 90% in six courses, including five University Prep (4U/DU) courses, and one 4U or 4M (University/College Prep) course

### French Baccalaureate

13 – 16 overall

Subject requirements may apply



**KING'S**  
*College*  
**LONDON**

Strand Campus

**Somerset House  
East Wing**

Strand  
London WC2R 2LS

Somerset House East Wing  
Reception





# Thank you

**KING'S**  
*College*  
**LONDON**

[rory.robinson@kcl.ac.uk](mailto:rory.robinson@kcl.ac.uk)

[northamerica@kcl.ac.uk](mailto:northamerica@kcl.ac.uk)

© 2020 King's College London. All rights reserved



**OXFORD IS...**



# WORLD LEADING

---

For centuries, it has been a leading centre of learning and research with great impact and influence.

““””

Oxford: a great group of interesting people who come from **all over the world**, yet can relate to each other so easily.  
**MATHEW**

““””

I was so excited by the idea of studying with experts in the field, and at Oxford, you have the **opportunity to learn** from the very best. **LILY**

““””

The **teaching is outstanding**. The quality of lectures, tutorials and practicals is incomparable. **JOE**

[ox.ac.uk/study](https://ox.ac.uk/study)



# WORLDWIDE

---

Oxford University forms the heart of a beautiful UK city, yet it thrives on connections with virtually every country in the world.

Today, more than 84,000 graduates live and work in over 200 countries and regions outside the UK.

Oxford University generates **£7.1 billion** for the global economy every year.  
(2017 Biggar Economics Report)

Oxford students benefit from **international connections** through paid internships, travel grants, research opportunities and exchange programmes.





# A COLLEGE COMMUNITY TO LIVE IN

---

Oxford students belong to a college.

This means Oxford students have the benefits of belonging to both a large, world-class university and to a small and friendly community.

Colleges are safe and welcoming environments where you can make friends and get support.

[ox.ac.uk/ugcolls](https://ox.ac.uk/ugcolls)

“““

I love the **sense of community**. I can confidently say that I know everyone here – students of every year and subject, tutors... the porters, kitchen staff ...it is a **really friendly** place to be! **BETHAN**

“““

Although I didn't actually apply to my college, I have **absolutely fallen in love with it** and couldn't be happier!  
**IZZY**



# STUDYING WHAT YOU LOVE

---

Our courses are rigorous and demanding, and very inspiring.

Oxford offers a rare level of personalised attention from academic experts. The teaching here also encourages you to build skills in independent study.

““““  
In my first term I have studied human geography, anthropology, maths, philosophy, genetics and evolution. That's what I love about my subject – it covers **so many different subjects**.  
MAIJA-ELINA

““““  
The most unexpected thing about my course has been the **breadth of what you can study** – you can write your dissertation on just about anything!  
RYAN

““““  
If you **love your subject** then this is the place for you!  
SIAN

[ox.ac.uk/ugresearch](https://ox.ac.uk/ugresearch)



# TUTORIALS DEVELOP YOUR THINKING

---

Tutorials are central to teaching at Oxford.

They allow for regular, rigorous academic discussions.

Whichever course you choose, an Oxford degree aims to make you think for yourself, both logically and laterally and to be able to articulate those thoughts.

““””

Having to come up with a convincing argument each week is challenging, but it's **taught me how to question** what I come across – it's a skill that will last a lifetime.

REBECCA

““””

I really enjoyed the small size of the tutorials and the ability to **discuss a topic in depth.**

SHALALIA

[ox.ac.uk/tutorials](https://www.ox.ac.uk/tutorials)





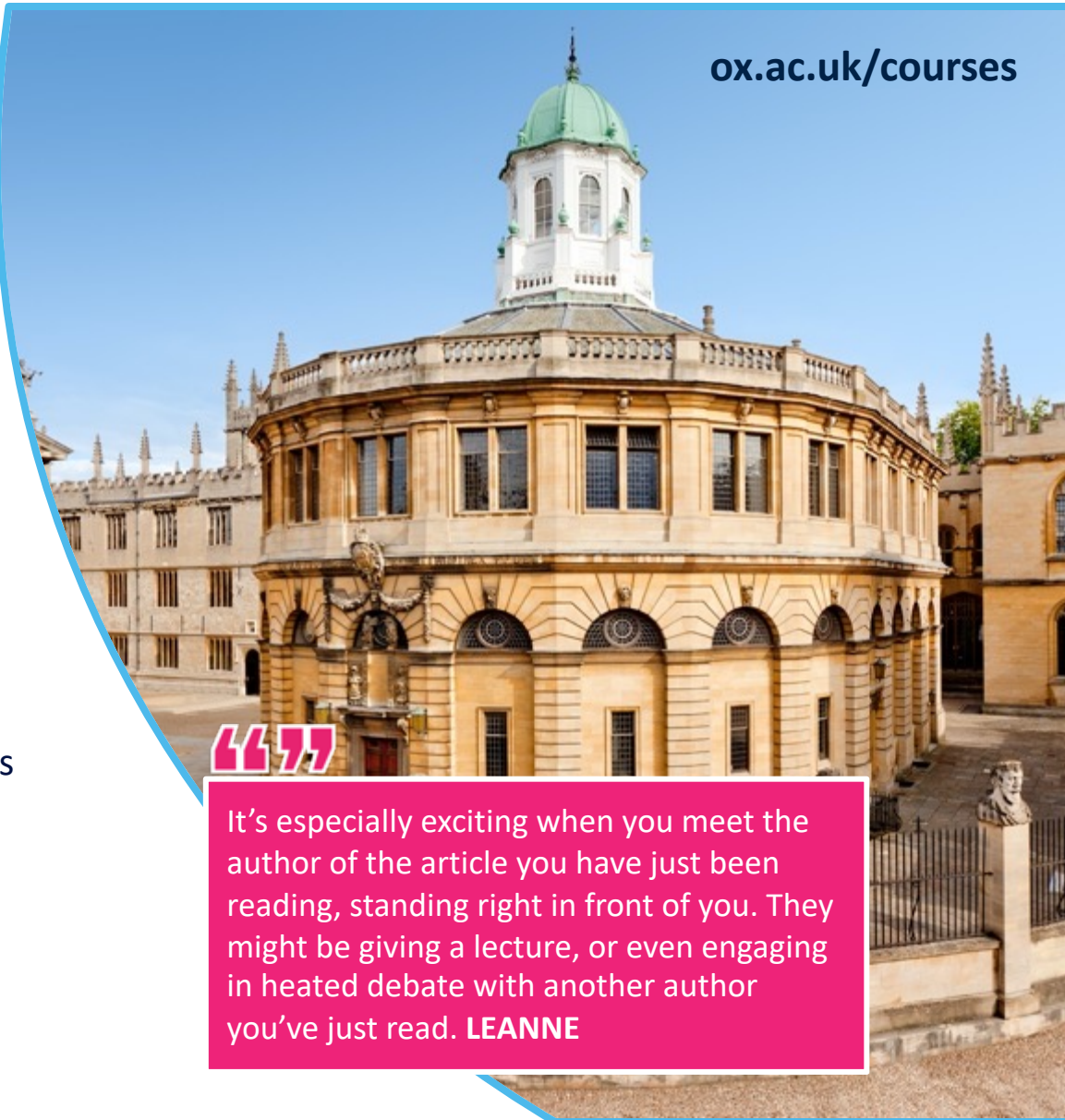
# VARIETY

---

All Oxford University courses sit within 4 different divisions made up of over 30 faculties and departments.

- Social Sciences
- Humanities
- Medical Sciences
- Mathematical, Physical & Life Sciences

[ox.ac.uk/courses](https://ox.ac.uk/courses)



It's especially exciting when you meet the author of the article you have just been reading, standing right in front of you. They might be giving a lecture, or even engaging in heated debate with another author you've just read. **LEANNE**

# SUPPORTING YOUR FUTURE CAREER

---

- Whilst studying, you will have lots of opportunities to get work experience or develop entrepreneurial ideas.
- If you want to set up your own social enterprise, then Oxford can help get you started.
- You will also have the chance to build employability skills for entering the job market, and receive expert advice from our Careers Service.

[ox.ac.uk/careers](https://www.ox.ac.uk/careers)

- Lifelong expert career advice
- 100s of exclusive local and global internships
- Over 12,000 vacancies advertised on Careers Service's website
- 14 annual careers fairs
- Over 2000 employer events every year
- 5,500 one-to-one careers advice appointments

# ENTRANCE REQUIREMENTS

The first thing to do once you've chosen a course is to make sure you have met, or are on target to meet, the admission requirements.

Some courses require specific subjects, so please check this.



[ox.ac.uk/enreqs](https://ox.ac.uk/enreqs)

## US Qualifications:

*either* SATs *or* the ACT and *either* APs *or* SAT subject tests (or a combination of APs and subject tests, if they are in different subjects).

## Scores needed:

**SATs:** a total score of 1,470 (out of 1,600). We do not require the optional essay.  
**ACT:** at least a score of 32 out of 36. We do not require the optional essay .  
**APs (Advanced Placement tests):** grade 5 in three or more appropriate subjects.  
**SAT Subject Tests:** 700 or more in three appropriate subjects.

Candidates are asked to enter all their scores for any tests taken when they complete their UCAS application, showing the relevant dates for each.

## Other

[ox.ac.uk/intquals](https://ox.ac.uk/intquals)



# FEES AND FUNDING

---

Fees are for 2021/22



[ox.ac.uk/funding](https://ox.ac.uk/funding)  
[ox.ac.uk/ffsearch](https://ox.ac.uk/ffsearch)

	Tuition Fees (International Students)	Living costs (nine months)	Total annual cost for International Student
In £	31,230 to 37,510*	10,575 to 15,390	<b>41,805 to 52,900</b>
In US\$ ( <i>exchange rate will vary</i> )	40,338 to 48,449	13,659 to 19,878	<b>53,997 to 68,328</b>

\* Clinical medicine fees will be considerably higher for overseas students



For the most recent information and advice about anything in this presentation, please refer to our website.

Courses: [ox.ac.uk/courses](https://www.ox.ac.uk/courses)

Student life: [ox.ac.uk/opportunities](https://www.ox.ac.uk/opportunities)

International students: [ox.ac.uk/int](https://www.ox.ac.uk/int)

Colleges: [ox.ac.uk/ugcolls](https://www.ox.ac.uk/ugcolls)

Questions: [ox.ac.uk/ask](https://www.ox.ac.uk/ask)

# Welcome to University of Edinburgh

Welcome

Rachael Parsons  
Regional Manager, Americas





# The University



THE UNIVERSITY  
*of* EDINBURGH

An ancient university, founded in 1583

World-class university and top study destination in the UK and within Europe

**One of the largest universities in the UK**

Over 41,000 students, more than 25,000 undergraduates, 15,000+ postgraduates

**Over 18,000 international students from more than 156 countries**

**Top choice for US and Canadian students in the UK**

3 Colleges, 21 Schools

Academic to student ratio 1:5

**Ranked in the Top 10 in the UK and top 100 in the world for student employability**

(THE Global University Employability Ranking 2017)

Located in the heart of Scotland's capital city



# The City of Edinburgh



THE UNIVERSITY  
*of* EDINBURGH

One of the most vibrant cities in Europe and most desirable places to live in the world

**Edinburgh has been voted 'Favourite UK City'** for an incredible 13 of the past 15 years in the Guardian and Observer Readers' Travel Awards

Population around 500,000, students make up over one tenth

## **Voted safest city in Britain**

YouGov Survey on Safe and Unsafe Cities 2014

**Historic, cosmopolitan, cultured city of breathtaking beauty and world-class attractions**

World's first UNESCO City of Literature  
**UNESCO World Heritage Site**

**Year-round destination and festival city**  
- 12 annual festivals, including the world's largest arts festival

## **Financial centre**

Excellent transport network

Photo by Alex Huang, Hong Kong






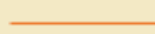
THE UNIVERSITY  
of EDINBURGH




 = University buildings

 = Park spaces

 = City landmarks

 5 minute walk

 15 minute walk

  
Scale = 0.5 mile



# Academic Structure



THE UNIVERSITY  
of EDINBURGH

## 3 Colleges

College of Arts, Humanities & Social Sciences

College of Medicine & Veterinary Medicine

College of Science & Engineering

## 21 Schools

All research-active

400+ Undergraduate degrees

300+ Postgraduate taught programmes

135 Research areas covering wide range of academic disciplines

*“You are now in a place where the best courses upon earth are within your reach... such an opportunity you will never again have.”*

Thomas Jefferson, Founding Father and US President speaking to his son-in-law as he began his studies at the University of Edinburgh in 1786



# Edinburgh degrees



THE UNIVERSITY  
*of* EDINBURGH

Encourage independent critical thinking, reasoning and research skills, self-motivated study and breadth of knowledge.

Taught through lectures, seminars, tutorials

Contact hours vary by subject

Humanities: average 12-15 hours per week

Science: average 20-25 hours per week

Normal study week around 40 hours

Assessment by coursework and examination

Study abroad option often available in 3rd year

Tuition fees vary by programme

Academic year is divided into 2 semesters:

Semester 1 20 Sep - 21 Dec 2021

Semester 2 17 Jan - 27 May 2022





# Edinburgh degrees



THE UNIVERSITY  
*of* EDINBURGH

## Country specific:

[www.ed.ac.uk/studying/international/country](http://www.ed.ac.uk/studying/international/country)

**Minimum entry requirements vary by programme**

**Check subject specific requirements**

## USA

SAT Reasoning Test with a score of at least 1,290 with 650+ in Evidence Based Reading and Writing and 620+ in Maths **OR** ACT with a score of 27+

## AND

Grade 4 in two or more APs in appropriate subjects **OR** SAT Subject Tests in two appropriate subjects at 650+

## Canada

Secondary School Diploma with a minimum of 80% in five Grade 12 subjects

Check Region specific requirements

## IB

34 in the IB (655 at higher level)

## French Baccalaureate

14 with 14 in 2 subjects







THE UNIVERSITY  
of EDINBURGH

# Thanks for listening!

## Contact me:

Rachael Parsons  
Regional Manager, Americas

[futurestudents@ed.ac.uk](mailto:futurestudents@ed.ac.uk)  
[usa.enquiries@ed.ac.uk](mailto:usa.enquiries@ed.ac.uk)  
[canada.enquiries@ed.ac.uk](mailto:canada.enquiries@ed.ac.uk)

## Contact a current student:

Edinburgh University North American Society:  
[www.eunas.co.uk](http://www.eunas.co.uk)  
Unibuddy



The Golden Boy, Old College

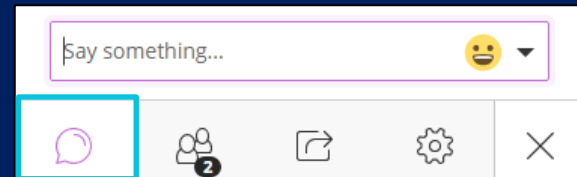


# Asking questions

Please use the hand raise icon to queue up your question.

When called upon to ask your question, type a question in the “Text Chat Area”

Once your question is answered, please lower your hand.



*Seeking the brightest from the US...  
offering the best of British*



**Rachael Parsons – [futurestudents@ed.ac.uk](mailto:futurestudents@ed.ac.uk)**

**Rory Robinson – [northamerica@kcl.ac.uk](mailto:northamerica@kcl.ac.uk)**

**Alice McCallum – [ox.ac.uk/ask](https://ox.ac.uk/ask)**